



MXQ Progressive Cavity Pumps

Pump Packages

SPACE EFFICIENT

EASY INSTALLATION

TURN KEY

VARIOUS DESIGNS

HIGH QUALITY

COST EFFECTIVE

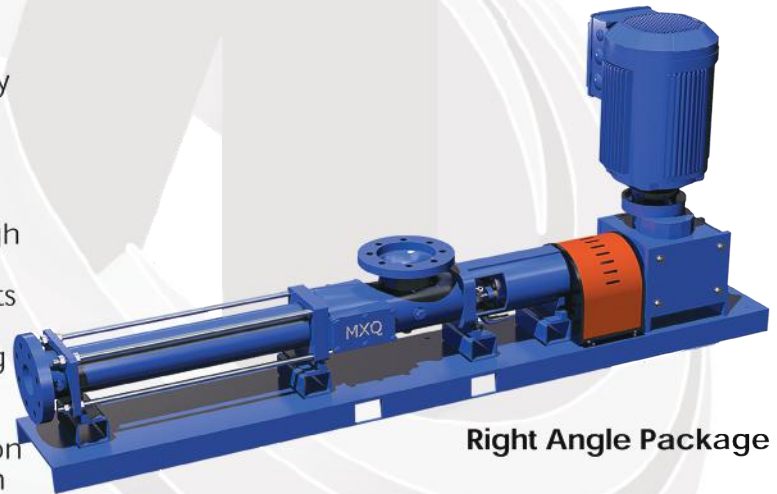
SINGLE SOURCE



In-line Package

Pump packages are cost effective due to the benefits associated with space efficiencies, ease of installation, single source responsibility and streamlining of the manufacturing process. MXQ has executed numerous turn-key pump packages, resulting in vast experience in the design, fabrication, installation, start-up and commissioning. We pride ourselves on our track record of successful projects and repeat clients.

Our engineering team can design pump packages to meet any application. MXQ has fabrication shops overseas and in the United States, which allow us to provide high quality, cost effective packages to our clients while also improving delivery times. Working hand in hand with our design team and vendors, our fabrication & assembly teams can deliver fully assembled pump packages to your facilities.



Right Angle Package

Pump packages also minimize on-site installation, start-up and commissioning times. Our turn-key services include the start-up, commissioning, and training. We have qualified staff to ensure the equipment start-up is done correctly and to verify that all system parameters are operating correctly.



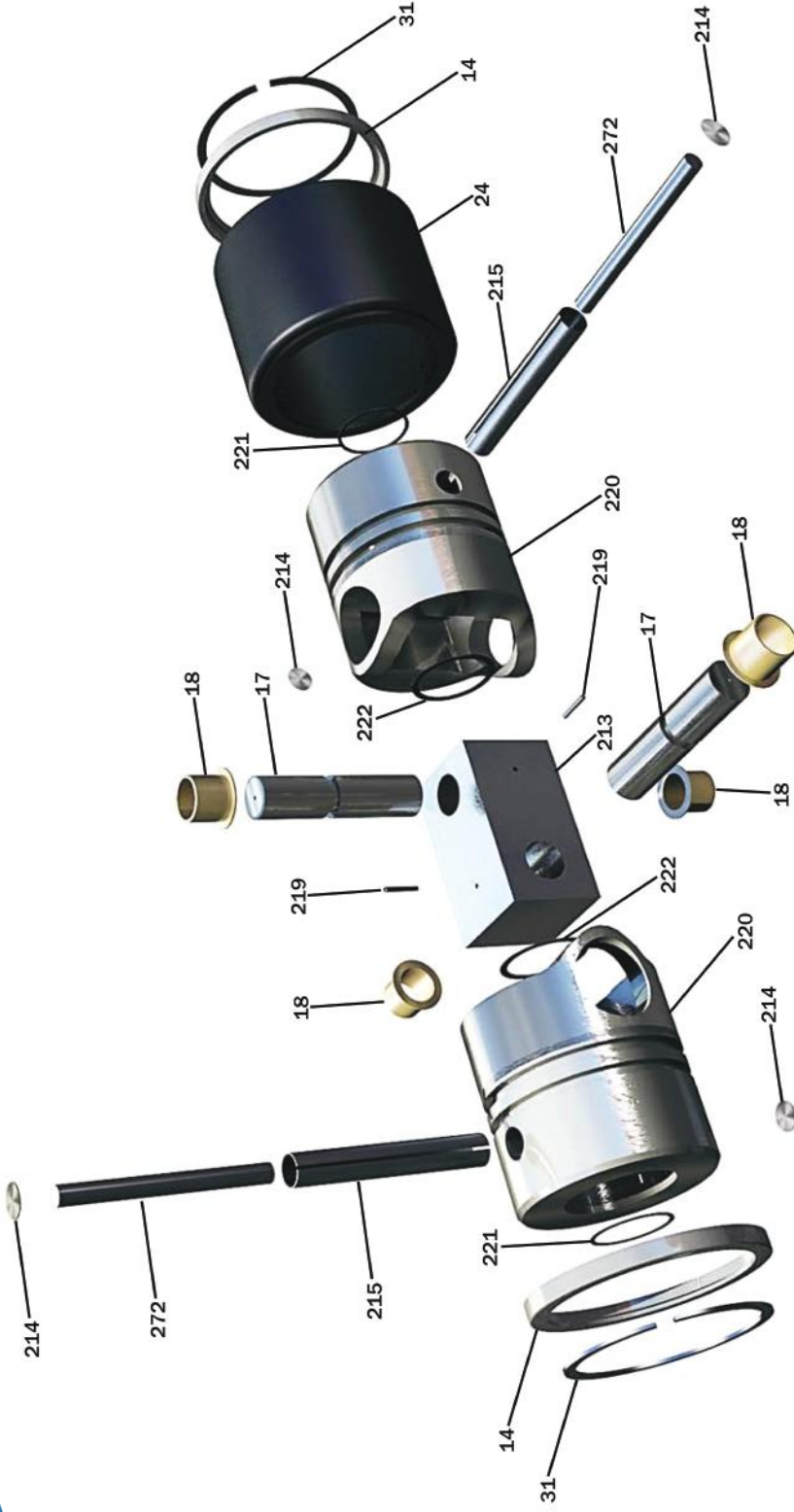
Over & Under Package



MXQ
Fluids in Motion™

Cardan Joint Exploded View - Sizes B, C, D, E

MXQ EH Progressive Cavity Pumps



<u>Item</u>	<u>Qty.</u>	<u>Description</u>	<u>Item</u>	<u>Qty.</u>	<u>Description</u>
14	2	Boot Collar	215	2	Sleeve
17	2	Joint Pin	219	2	Locking Pin
18	4	Joint Bushing	220	2	Joint Head
24	1	Boot Cover	221	2	Shaft O-ring
31	2	Boot Collar Snap Ring	222	2	Joint O-ring
213	1	Block Pulley (Yoke)	272	2	Taper Pin
214	4	Sealing Disc	501	1	Complete Assembly